

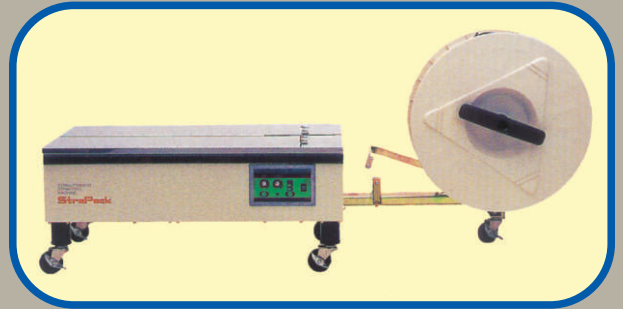
scan[®] pack

StrapPack

SEMI-AUTOMATIC STRAPPING MACHINE



D-53



D-53 LB



D-53 NA



D-53 Desk Top

SEMI-AUTOMATIC STRAPPING MACHINE

□ VARIABLE AND CONSISTENT TENSION

Stabilized Tensioning that is controlled with a microprocessor can easily be adjusted from 2kgf to 50kgf with a single dial. Tension is applied with a newly developed Steel Roller. In addition, the maximum Tension Range can be limited in order to prevent a damage of valuable package.

□ SEAL PROLONGATION

Longer sealing time (plus 0.5 sec) for Heavy strap can easily be applied. (Option)

□ DESK-LIKE BODY

It provided a broad work space and maximum foot room.

□ SMALL & FUNCTIONAL

Sealing head is located in the right side of the body in order to best utilize the working surface of the tabletop. Machine body is small and light, easy to maneuver, yet strong and sturdy for heavy packages.

□ QUICK HEATER

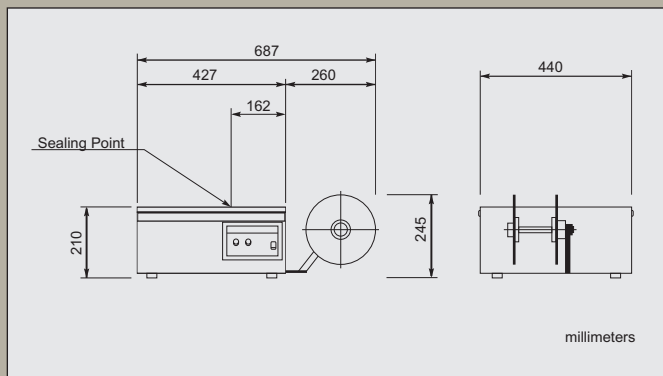
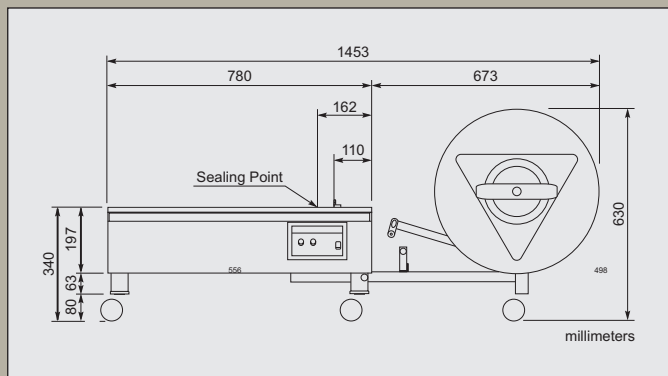
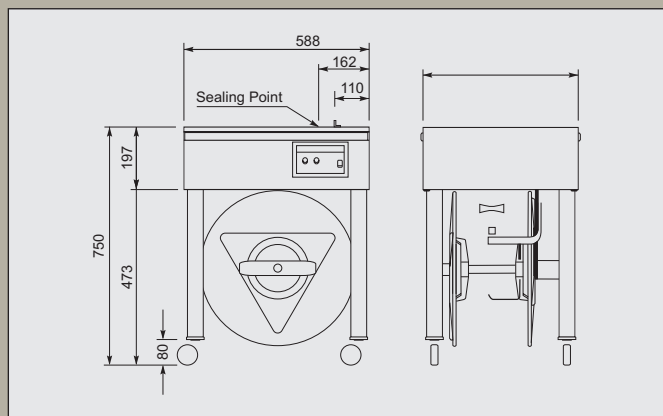
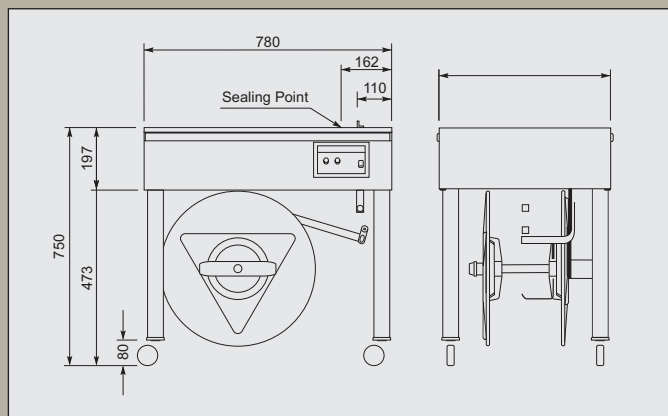
Only requires 30 seconds to reach operating temperature.

□ HIGH SPEED CYCLE

Cycle starts immediately after the strap is inserted into the band guide and completes the cycle faster than ever.

□ STRAP SIZE OPTIONS

This Model can be used with strap, width ranging from 5 mm to 12 mm.



□ STANDARD SPECIFICATIONS

	D-53		D-53 NA		D-53 LB		D-53 Desk Top	
DIMENSIONS	width	780 mm	width	588 mm	width	1453 mm	width	687 mm
	depth	556 mm	depth	498 mm	body width	780 mm	body width	427 mm
	table height	750 mm	table height	750 mm	depth	556 mm	depth	440 mm
	height	775 mm	height	775 mm	table height	340 mm	table height	210 mm
WEIGHT	50 kg		45 kg		55 kg		28 kg	
PACKAGE SIZE	width 100 mm - free				depth 30 mm - free			
STRAP TENSION	approx. 20 - 490N (2 - 50kgf)							
STRAP WIDTH	5, 6, 9, 12 mm							
POWER SUPPLY	100, 220, 240V single phase 50/60 Hz 0.4KVA							

DISTRIBUTED BY:



SCANPACK Sp.J.

60-175 Poznań, ul. Żonkilkowa 14 • Tel/fax: 061 867 82 81 • Tel: 061 867 73 92
63-500 Ostrzeszów • ul. Św. Mikołaja 25 E • Tel: 062 586 01 10 • Fax: 062 586 01 11

E-mail: poznan@scanpack.pl • ostrzeszow@scanpack.pl

Internet: www.scanpack.pl • www.zgrzewarki.pl • www.tasma.com.pl



STRAPACK CORPORATION
Tokyo, JAPAN