

scan *pack*®

StrapPack

AUTOMATIC STRAPPING MACHINE AQ-7

AQ-7



AUTOMATIC STRAPPING MACHINE

☐ QUICK WARM UP HEATER

Only 25 sec. required to reach operating temperature.
Ready indicator lamp reduces wasted strap.

☐ HIGH SPEED-2.2 SEC./CYCLE

Minimum of 27 cycles per minute.
(Depending on package size)

☐ EASY TENSION CONTROL

Tension is adjustable via a conveniently positioned dial.
Consistent tensioning from 0 to 70kg (80mm stroke) is provided by a tension arm system.

☐ ENERGY CONSERVATION

Power supply is 200 / 220 / 240 / 380 / 400 / 415V, 3ph.
Motors run only when necessary.

☐ OIL-LESS MECHANISM

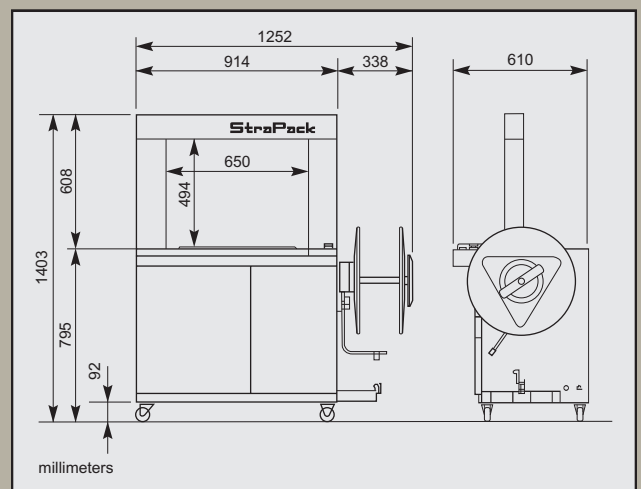
Sealing head never requires lubrication, saving service time and cleanliness of components.

☐ COMPACTNESS

Machine body is small and light, easy to maneuver.

☐ NEW ARCH SYSTEM

Newly designed arch ensures more precise strap positioning and reduces strap twisting.
Arch variations available.



☐ STANDARD SPECIFICATIONS

DIMENSIONS		Width	Height	depth	Weight
		1252 mm	1403 mm	610 mm	180 kg
TABLE HEIGHT		795 mm			
ARCH SIZE		W 650 x H 500 mm			
PACKAGE SIZE	Max	W 650 x H 480 mm			
	Min	W 80 x H 30 mm			
JOINT / STRAP / COIL		heat seal / polypropylene / ID200 / OD450 / W200 mm			
STRAP WIDTH		5, 6, 9, 12, 15,5 mm			
STRAP TENSION		Max. 70 kg 80 mm stroke			
POWER SUPPLY		200, 220, 240, 380, 400, 415V, 3 phase, 50 / 60 Hz, 0,85KVA			

DISTRIBUTED BY:

scanpack®

SCANPACK Sp.J.

60-175 Poznań, ul. Żonkilowa 14 • Tel/fax: 061 867 82 81 • Tel: 061 867 73 92
63-500 Ostrzeszów • ul. Św. Mikołaja 25 E • Tel: 062 586 01 10 • Fax: 062 586 01 11

E-mail: poznan@scanpack.pl • ostrzeszow@scanpack.pl

Internet: www.scanpack.pl • www.zgrzewarki.pl • www.tasma.com.pl



STRAPACK CORPORATION
Tokyo, JAPAN